

# SOCKS PACKAGING

SOCKS HANDLING SYSTEM

FOLDING & STACKING



## SOCKS BOARDING FOLDING & STACKING

Manual preparation of socks, after the boarding process, has always been considered complicated and expensive for all Companies who are asked to supply packages with multiple products combinations.

Tecnopea Folding & Stacking module brings the automation inside this step of the packaging process thanks to the possibility to select and store folding, orienting and stacking sequences of socks creating stacks with a different setting for each pair.

A great flexibility to customize the packages according to the market requests.

The presentation of each pair is set by selecting the appropriate icons shown on the display in the desired sequence, for each stack.

Each bundle configuration can be stored for subsequent uses and, the electronic functions monitoring, allows the sequence not to be interrupted even in the event of a pair manually removed from the folding device, resuming it exactly from the point where it was interrupted.

The output belt can be easily connected to a module for packaging in envelopes or bands.

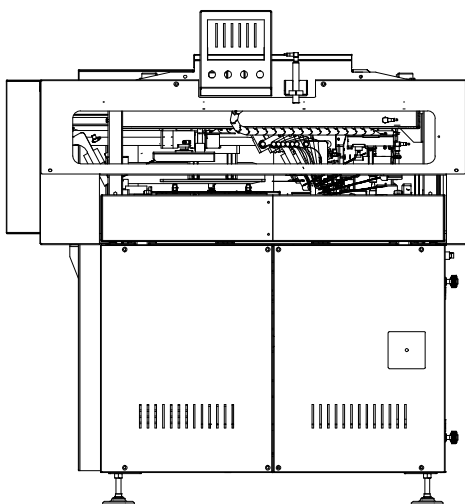
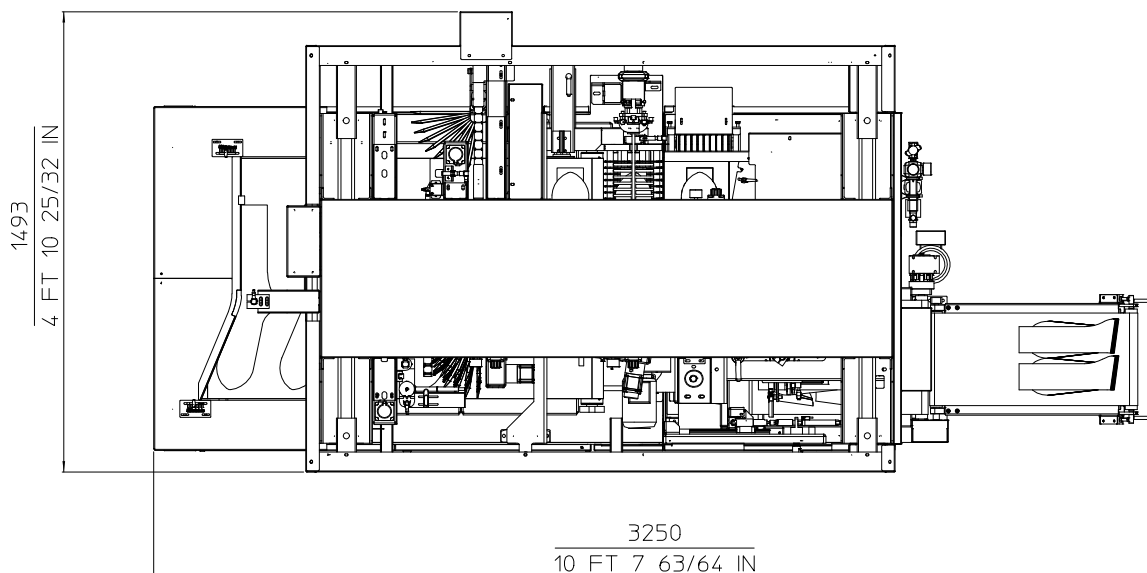
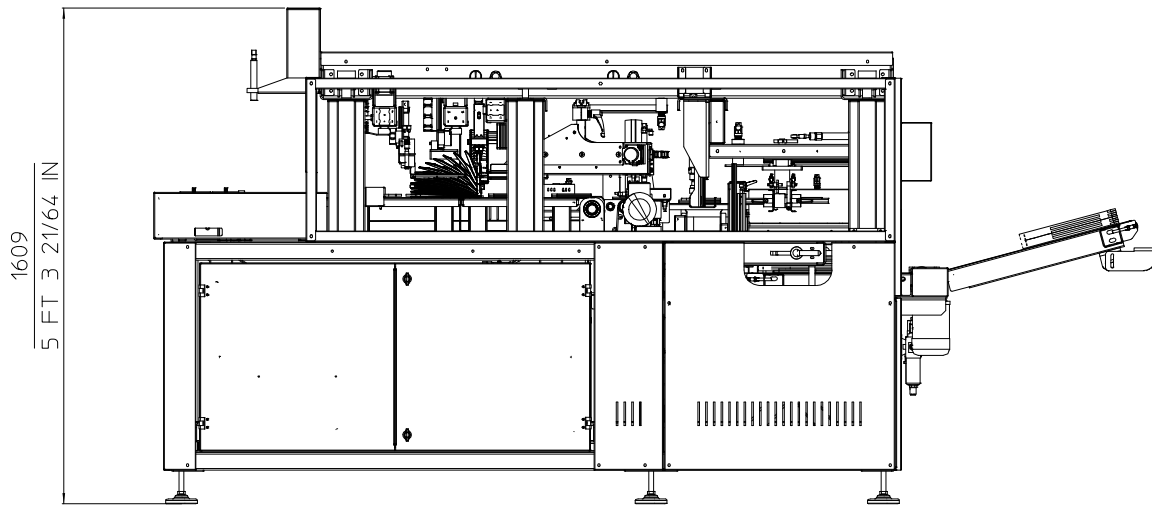
# SOCKS BOARDING FOLDING & STACKING

Specifications	Values
Dimensions	3.251 X 1.493 x 1.609 (h)
Air pressure	6 bar
Air consumption	9,9 m <sup>3</sup> /hr
Installed power	2 kW
Min. cycle time	3,5 sec./1 pair
Max. productivity	1.028 pairs/hr

Features
Loading station with references for positioning
Folding device
Flipping system
Stacking device
Preparation for single or double stack
Exit belt to the next packaging module
High productivity
Flexibility
Compact size
Multiple packaging options



# SOCKS BOARDING FOLDING & STACKING



# TECNOPEA



TECNOPEA S.R.L.

Via Don Eridano Torri, 2

25027 Quinzano d'Oglio, Brescia - Italy

Tel.: +39 030 992 3780 - Fax: +39 030 9923996

info@tecnopea.com - www.tecnopea.com